

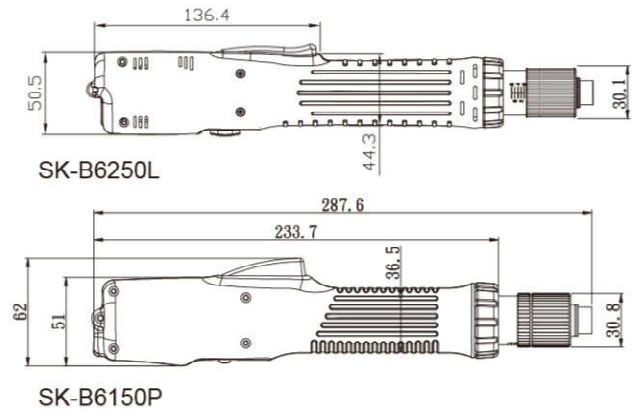
# BRUSHLESS HIGH TORQUE AC-TYPE AUTOMATIC TRIGGER AND PUSH START CLUTCH TYPE SERIES

## SK-B6 Series

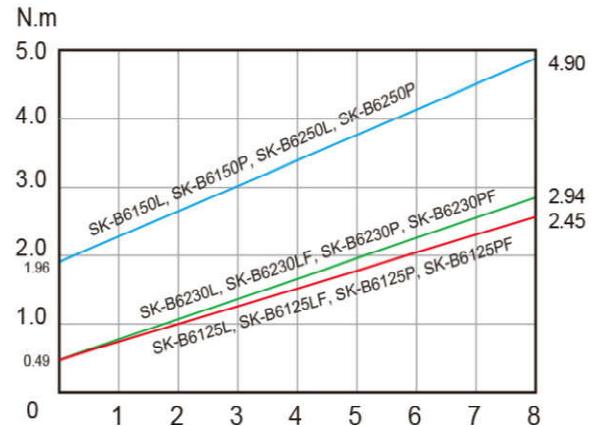


- AC plug ; no adaptor needed.
- Torque range 5~50kgf.cm.
- Adopts High-Functional Brushless Motor.
- Best fit for general machine screws operation.
- High rotation speed.

### External Dimension



### Torque Range Chart



### Specifications

Model		SK-B6125L SK-B6125P	SK-B6125LF SK-B6125PF	SK-B6150L SK-B6150P	SK-B6230L SK-B6230P	SK-B6230LF SK-B6230PF	SK-B6250L SK-B6250P
Input Voltage		AC110~120V 50/60Hz			AC220~240V 50/60Hz		
Torque	(kgf.cm)	5~25	5~25	20~50	5~30	5~30	20~50
	(Lbf.in)	4.34~21.68	4.34~21.68	17.35~43.37	4.34~26.02	4.34~26.02	17.35~43.37
	(N.m)	0.49~2.45	0.49~2.45	1.96~4.90	0.49~2.94	0.49~2.94	1.96~4.90
Repeatable Torque Accuracy(%)		±3%					
Torque Adjustment		Stepless					
Free Speed(r.p.m)		1000	2000	1000	1200	2000	1200
Power Consumption		0.5A			0.3A		
Screw Size Dia (mm)	Machine Screw	2.6~4.0	2.6~4.0	4.0~5.0	2.6~4.0	2.6~4.0	4.0~5.0
	Tapping Screw	2.6~3.5	2.6~3.5	≤4	2.6~3.5	2.6~3.5	≤4
Weight(g)		500			810		
Length(mm)		285			305		
ESD(Anti-Static)					-		
ETL		✓			-		
CE		-			✓		
RoHS					✓		
Bit Type							

### Accessories

